

# General Specifications

## DAQOPC for DARWIN OPC Server for DARWIN Series

GS 04M01F03-00E

Release Number : R3.01

### ■ GENERAL

*In the process industry, there are a variety of data sources in plant devices and databases in the control room. However, until now, it was not necessarily easy to access operation data on the plant devices from supervisory information systems.*

*To solve this problem, the DAQOPC for DARWIN package provides an interface that is compliant with an OPC (OLE for Process Control) standard interface developed by the OPC Foundation.*

*DAQOPC for DARWIN is an OPC server running on Windows 2000/XP, which can be connected to the DARWIN series and provides an OPC client with process data via OPC interface. With the package, the OPC client can acquire and define process data from and receive alarm events.*

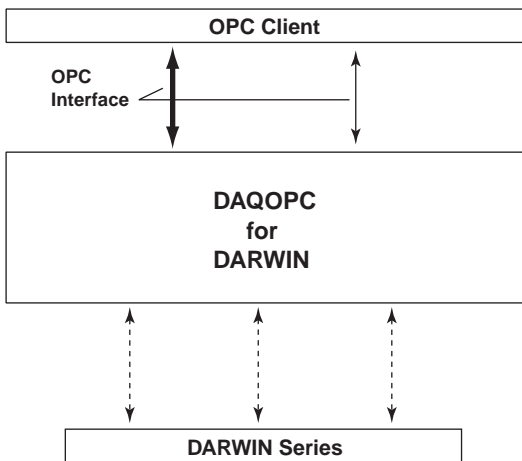
*This GS covers the specifications of the DAQOPC for DARWIN OPC Interface Package.*

### ■ FUNCTION SPECIFICATIONS

The DAQOPC for DARWIN package provides the OPC specifications-compliant interface.

#### Data Access (DA) Server

The DA Server reads and writes process data using item IDs as identifiers.



- ↔ Custom Interface
- ↔ Automation Interface
- ⋯ Process Data

### ■ FEATURES

#### Major Applications

DAQOPC for DARWIN OPC Interface can be used in a wide variety of OPC client applications.

- OPC standard compliant general-purpose applications
- User applications created by VB or VC++

#### Compliance with OPC Specifications

The DAQOPC for DARWIN package supports OPC standard interface functions (DA Server functions) specified by OPC Foundation, and many other optional functions such as browsing.

#### Browsing

With optional functions with OPC specifications, users can view the content of the OPC server from OPC client.

### ■ CONNECTED SYSTEMS

System	Connection Method
DA100, DC100, DR130, DR231, DR232, DR241, DR242	Ethernet
	RS-232C
	RS-422A/485

## ■ SYSTEM CONFIGURATION

### Server/Client Composition

The following two client/server configurations can be used:

- The OPC client exists on a PC with DAQOPC for DARWIN installed.
- The OPC client exists on a supervisory computer (Windows 2000/XP machine).

### Multiple Clients

Users can access one DAQOPC for DARWIN from multiple OPC clients.

### Multiple Servers

Users can access multiple DAQOPC for DARWIN from one OPC client.

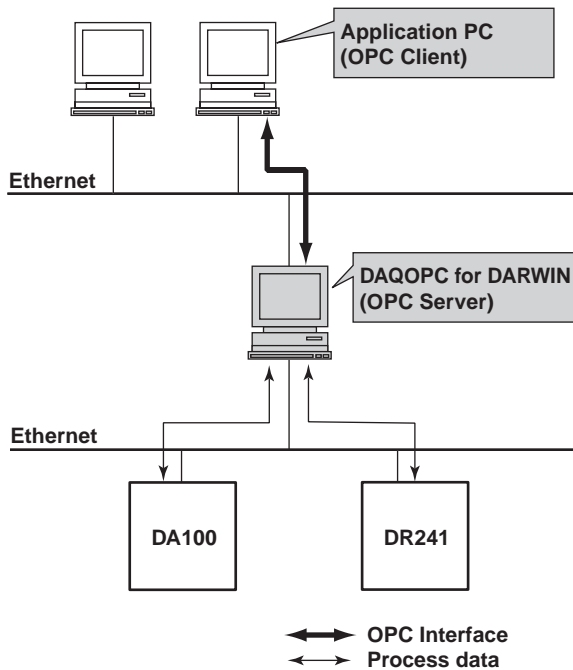


Figure: Configuration Example for DARWIN Series

## ■ APPLICATION CAPACITY

- Max. number of clients: 100 clients
- Max. number of group objects: 1,000 groups
- Max. number of registered item IDs: 10,000/group
- Max. number of cache update item IDs: 100,000
- Cache update period:  
1,000 - 3,600,000 ms (1 sec to 1 hour)
- Max. number of networked DARWIN: 16

## ■ OPERATING ENVIRONMENT

### Hardware

- Machine: IBM PC/AT-compatible (DOS/V) (where Windows 2000 or Windows XP runs)
- CPU: Intel Pentium 300 MHz or faster (Windows 2000), Pentium 800 MHz or faster (Windows XP)
- Main memory: 256 MB or greater

- Disk capacity: About 1 GB must be free.
- Communication device:  
Ethernet-ready network card

### Software

- Operating System:  
Microsoft Windows 2000 or Windows XP Professional  
The DAQOPC for DARWIN package and Windows 2000/XP must use the same language.
- Service Pack: The following Service Packs are required.  
SP3, SP4 (Windows 2000)  
SP1, SP2 (Windows XP)
- VB and VC++ versions:

DAQOPC for DARWIN	DAQOPC for DARWIN and user AP are on the same PC	DAQOPC for DARWIN and user AP are on different PCs.
R3.01	VB6.0, VC++6.0(SP5)	VB5.0/6.0, VC++5.0/6.0

## ■ SUPPORTED OPC SPECIFICATIONS

The DAQOPC for DARWIN package provides the OPC client with an interface with the following specifications:

### DA Server

- OPC Data Access Custom Interface Specification Version 2.0
- OPC Data Access Automation Specification Version 2.0

## ■ MODEL AND SUFFIX CODE

Model	Description
DP410-13	DAQOPC for DARWIN Series

## ■ ORDERING INSTRUCTION

Specify model and suffix codes.

## ■ TRADEMARK

- Microsoft, Windows and Windows XP are registered trademarks of Microsoft Corporation.
- Intel and Pentium are registered trademarks of Intel Corporation.
- OPC is a registered trademark of OPC Foundation.
- All other company and product names in this GS are registered trademarks or trademarks of respective companies.